

WIRE ROPE PIPE LIFTING SLING

OPERATION



Drop pipe carrier lifting sling through hole in pipe. Align and insert "Tea Cup" pipe carrier into lifting sling.



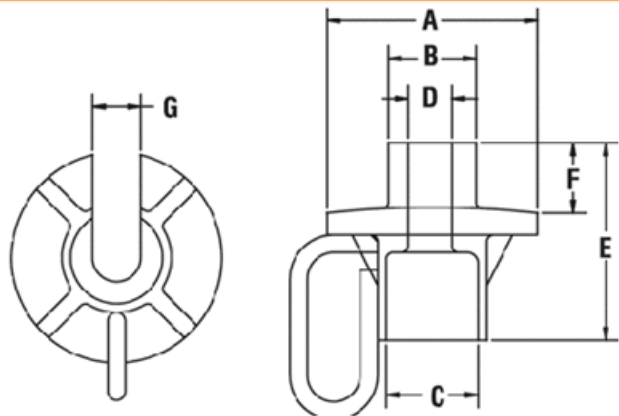
Once set, you are ready to lift the pipe.



WIRE ROPE DIAMETER (in)	RATED CAPACITY (tons)	TEA CUP CARRIER SIZE	STANDARD LENGTH (FT)
3/4	4.9	3/4	5
7/8	6.6	3/4	5
1	8.5	1	5
1 1/8	10.0	1	5
1 1/4	13.0	1	5
1 1/2	18.0	1 1/2	5

*IPS WIRE ROPE RATINGS

Product Specifications



Model Number	Rated Capacity (tons)	A (in.)	B (in.)	C (in.)	D (in.)	E (in.)	F (in.)	G (in.)	Weight (lbs.)
PC-3/4*	6.6	5.56	2	2.13	1.13	4.75	1.75	1.13	9
PC-1	13	6	2.50	2.63	1.38	5.75	1.75	1.38	12
PC-1 1/2	18	8	3	3.25	1.63	7.63	2.75	1.63	22

NYLON QUICK DISCONNECT PIPE LIFTING SLING



PRODUCT FEATURES:

- Quick and easy rigging.
- Sling wraps around pipe and buckles together eliminating the need to remove sling from hook.
- Pipe can be handled quickly and efficiently when properly balanced.
- Use in pairs for added stability.
- Complies with ASME standards.

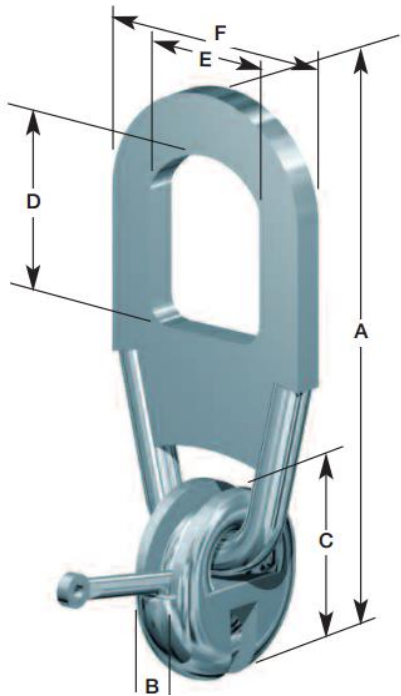
RATED CAPACITY

2-IN WEBBING = 2500 LBS

3-IN WEBBING = 3750 LBS

*Please Specify Length When Ordering

RING CLUTCH



The RL-35 Ring Clutch is an assembly consisting of a main clutch body, a curved bolt/handle and bail. The design of the ring clutch allows a full 360° rotation of the bail around the main body. The installation of the unit is quick and easy; simply rotate the curved bolt/handle to the open position, drop the main body into the anchor recess and rotate the bolt/handle to the closed position.

RL-35 RAPID LIFT RING CLUTCH DATA										
Ring Clutch Systems	Clutch I.D.	Item Number	A	B	C	D	E	F	Weight Per Piece (lbs)	Clutch Capacity (ton)
2T/2.5T	2.5T	79001	10 7/16"	1 1/16"	3 1/8"	2 3/4"	2 1/4"	3 5/8"	3.65	2.5
4T/5T ¹	5T	79002	13"	1 7/16"	4 1/8"	3 3/16"	2 9/16"	4 1/2"	8.65	5
8T/10T ^{**}	10T	79003	16 3/4"	2"	5 15/16"	4 9/16"	3 9/16"	5 13/16"	19.87	10
22T/26T ²	26T	79170	23 7/8"	2 13/16"	8 1/4"	7 1/4"	4 3/4"	8 13/16"	55.0	22

Clutch capacities are rated at a 5:1 safety factor; and apply only to clutches manufactured after 1/1/2000

MANHOLE LIFT EYE DUCTILE IRON



PIN DIA	= 1.50-IN
PIN LENGTH	= 3-3/4-IN
OVERALL LENGTH	= 9-IN
BOW DIA	= 1-5/16-IN
EYE DIA	= 2.50-IN

