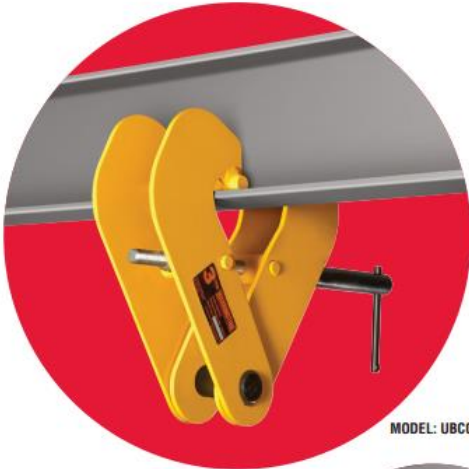


UBC Universal Beam Clamp



MODEL: UBC030



MODEL: UBC030 WITH
UBC SUSPENDER OPTION

Ultimate Suspension Accessory

Harrington's UBC Universal Beam Clamp is the perfect accessory when a temporary or semi-permanent hoist anchor point is required. Additionally used as a below-the-hook lifting attachment, this adjustable beam clamp offers an efficient, cost effective method for most workholding and positioning applications. Available in capacities of 1, 2, 3, 5 and 10 Tons.

Adjustable Attachment

Easy Operation

- Lightweight portable design
- Left-hand and right-hand clamp screw allows for quick clamping and unclamping
- Jaw opening adjusts for a wide range of tapered or flat-flanged beams
- Optional UBC suspender for perpendicular mounting and for oversized hooks

Dependability and Design

- Meets ASME BTH-1, ASME B30.20 and complies with portions of ASME B30.16 for use with manual and powered hoists
- Design factor minimum of 5:1 per ASME B30.16 requirements
- Lock nut feature resists loosening to improve secure clamping
- Built-in suspension pin for low headroom
- Metric rated capacity
- Each Universal Beam Clamp is individually serialized and load tested (test certificates included)
- Made in the USA

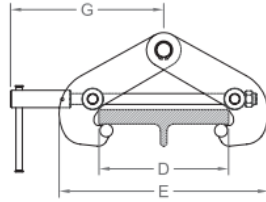
Applications

- Industrial and construction lifting applications
- Overhead lifting and vertical rigging operations
- Holding and positioning beams for construction

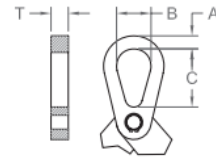
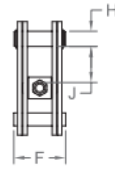
UBC UNIVERSAL BEAM CLAMP — SPECIFICATIONS AND DIMENSIONS

Capacity (Tons)	Product Code	Flange Range D (in)	Max. Beam Flange Thickness (in)	Max. E (in)	F (in)	G (in)	H (in)	J (in)	UBC Suspender Option				Net Weight (lbs)*	Shipping Weight Approx. (lbs)*
									A (in)	B (in)	C (in)	T (in)		
1	UBC010	3.00 to 7.50	0.83	12.25	3.00	9.25	0.88	2.10	0.75	2.00	2.00	0.63	8	10
2	UBC020												9	11
3	UBC030	4.00 to 12.00	1.00	19.75	4.25	11.0	1.25	2.38	1.00	2.50	2.50	1.00	19	22
5	UBC050												22	25
10	UBC100	6.00 to 13.25	1.75	22.50	6.00	14.63	1.75	4.65	1.38	3.75	6.25	1.25	55	60

**The weights listed are for standard universal beam clamps without large suspenders.*



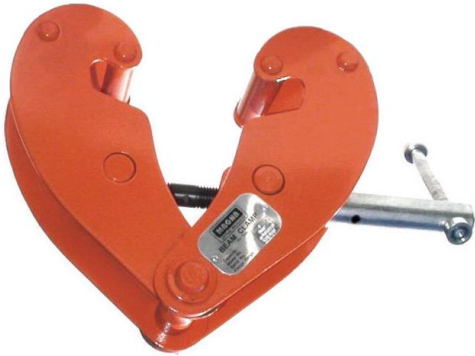
Universal Beam Clamp



UBC Suspender Option



MAGNA BEAM CLAMPS (PIN TYPE)



PRODUCTS

Beam Clamps

- Made in CHINA
- Heavy-duty construction
- ISO 9001 and TUV-CE Certified factory
- Tested to 125% of Rated Capacity
- Compact size
- Low headroom design
- Portable
- Simple to install
- Clamp jaw design applies load away from flange edge
- Quick and easy adjustments
- Fits wide range of beams

PIN TYPE

■ BC100P - Pin Type

Rated Capacity (lbs): 2,200
Fits I-Beam Flange Width (in): 3-9
Net Weight (lbs): 8

■ BC300P - Pin Type

Rated Capacity (lbs): 6,600
Fits I-Beam Flange Width (in): 3.1-12.5
Net Weight (lbs): 21

■ BC1000P - Pin Type

Rated Capacity (lbs): 22,000
Fits I-Beam Flange Width (in): 3.5-12.5
Net Weight (lbs): 35

■ BC200P - Pin Type

Rated Capacity (lbs): 4,400
Fits I-Beam Flange Width (in): 3-9
Net Weight (lbs): 10

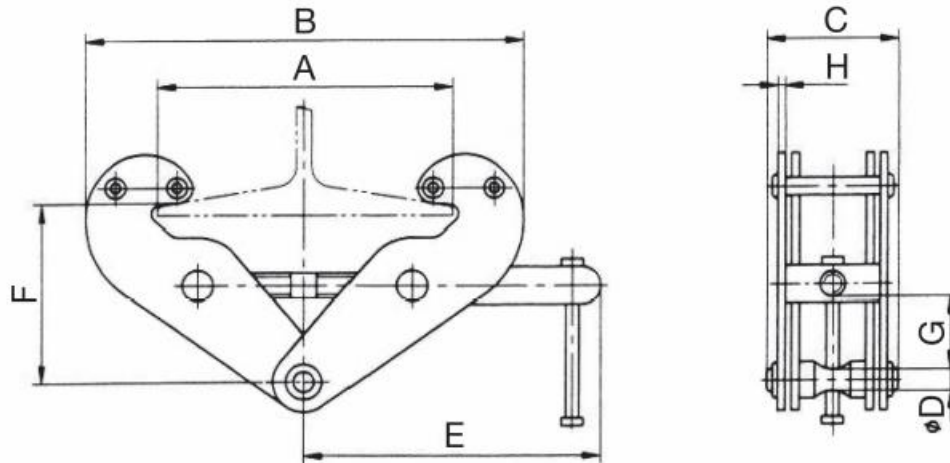
■ BC500P - Pin Type

Rated Capacity (lbs): 11,000
Fits I-Beam Flange Width (in): 3.5-12.5
Net Weight (lbs): 24



BEAM CLAMP PIN TYPE

Specifications



Pin Type – MODEL		BC100P	BC200P	BC300P	BC500P	BC1000P	
RATED CAPACITY (LBS)		2,200	4,400	6,600	11,000	22,000	
FITS FLANGE WIDTH (IN)		3.0 - 9.0	3.0 - 9.0	3.1 - 12.5	3.5 - 12.5	3.5 - 12.5	
INCHES	A max	11	11	14	14	14	
	B	min	7.2	7.2	8.7	8.7	9.9
		max	15	15	19.6	19.6	19.6
	C	2.5	3	4	4.5	4.8	
	H	0.16	0.24	0.32	0.4	0.47	
	E	8.6	8.6	10.9	10.9	11.2	
	F	min	3.5	3.5	5.7	5.7	6.3
		max	5.9	5.9	8.6	8.6	9
	G	1	1	2	1.9	2	
	D	0.75	0.83	0.91	1.14	1.54	
	I	0.78	0.78	0.9	0.9	1.18	
NET WEIGHT (LBS)		8	10	21	24	35	