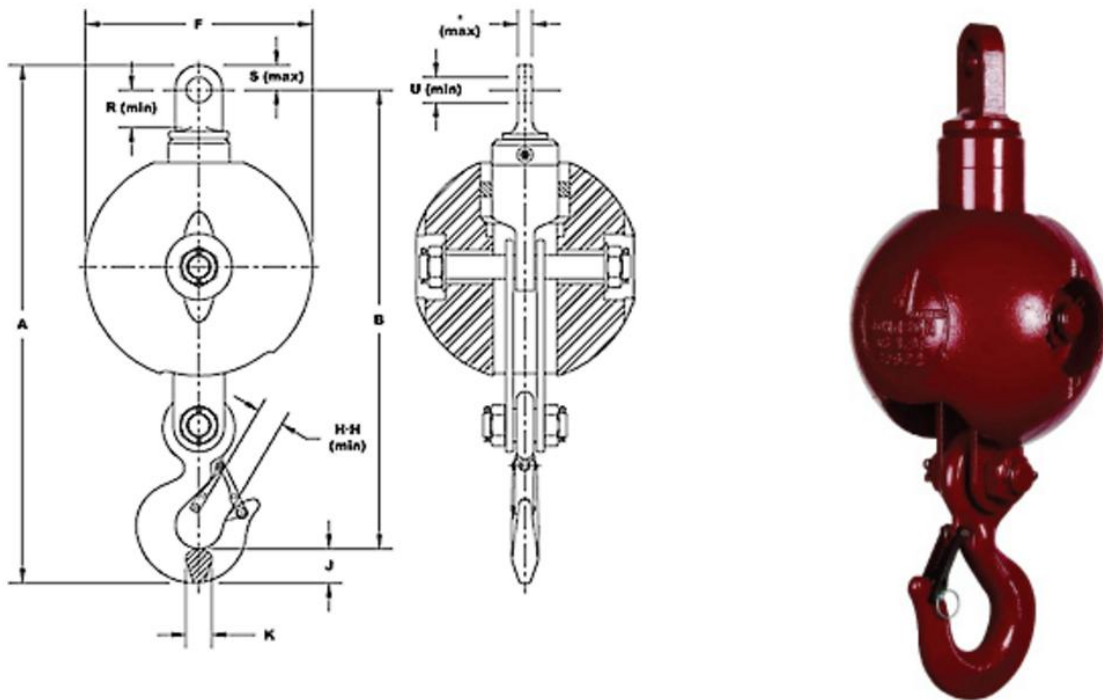


# Top Swivel Type 4



The advantage of the top swivel overhaul ball lies in the ability of its upper fitting and attached wire rope to move independent of its ball and lower fitting. Gunnebo Johnson Corporation introduced its first top swivel balls in 1966 in response to requests for units with more accessible upper fittings. From these have evolved the broad line of precision assemblies which this company now manufactures. In all, our offering consists of some 138 models with weights ranging from 37 through 1,478 pounds; capacities, from 3-3/4 through 30 tons. The J-Latch is now standard.

Model	WLL	Weight of Assembly	Part Number	A	B	F	H2 (w/ Latch)	J	K	R	S	T	U
TYPE 4 OHB	UST	lbs								MIN	MAX	MAX	MIN
OB 4EE 35-4	4	59	471538	22.84	20.06	7.50	1.10	1.44	1.12	1.55	1.34	1.03	1.31
OB 4EE 85-4	4	96	471540	22.84	20.06	9.50	1.10	1.44	1.12	1.55	1.34	1.03	1.31
OB 4EE 150-4	4	167	471544	25.50	22.72	11.25	1.10	1.44	1.12	1.55	1.34	1.03	1.31
OB 4EE 200-4	4	208	471548	25.50	22.72	12.00	1.10	1.44	1.12	1.55	1.34	1.03	1.31
OB 4EE 220-4	4	247	474268	25.50	22.72	12.75	1.10	1.44	1.12	1.55	1.34	1.03	1.31
OB 4EE 285-4	4	315	471991	25.50	22.72	13.88	1.10	1.44	1.12	1.55	1.34	1.03	1.31
TYPE 7 OHB										MIN	MAX	MAX	MIN
OB 7EE 35-4	7	63	471539	24.59	21.44	7.50	1.38	1.81	1.46	1.55	1.34	1.03	1.31
OB 7EE 85-4	7	100	471541	24.59	21.44	9.50	1.38	1.81	1.46	1.55	1.34	1.03	1.31
OB 7EE 150-4	7	171	471545	27.25	24.10	11.25	1.38	1.81	1.46	1.55	1.34	1.03	1.31
OB 7EE 200-4	7	210	471549	27.25	24.10	12.00	1.38	1.81	1.46	1.55	1.34	1.03	1.31
OB 7EE 220-4	7	250	474269	27.25	24.10	12.75	1.38	1.81	1.46	1.55	1.34	1.03	1.31
OB 7EE 285-4	7	318	471992	27.25	24.10	13.88	1.38	1.81	1.46	1.55	1.34	1.03	1.31

TYPE 12 OHB										MIN	MAX	MAX	MIN
OB 12EE 85-4	12	139	471542	31.53	26.91	9.50	1.82	2.59	1.94	2.24	2.03	1.28	1.78
OB 12EE 150-4	12	209	471546	34.03	29.41	11.25	1.82	2.59	1.94	2.24	2.03	1.28	1.78
OB 12EE 200-4	12	248	471550	34.03	29.41	12.00	1.82	2.59	1.94	2.24	2.03	1.28	1.78
OB 12EE 220-4	12	288	474270	34.03	29.41	12.75	1.82	2.59	1.94	2.24	2.03	1.28	1.78
OB 12EE 285-4	12	360	471861	34.03	29.41	13.88	1.82	2.59	1.94	2.24	2.03	1.28	1.78
OB 12EE 350-4	12	396	471552	34.03	29.41	14.50	1.82	2.59	1.94	2.24	2.03	1.28	1.78
OB 12EE 500-4	12	585	474264	36.03	31.41	17.06	1.82	2.59	1.94	2.24	2.03	1.28	1.78
OB 12EE 650-4	12	703	471556	36.03	31.41	17.94	1.82	2.59	1.94	2.24	2.03	1.28	1.78
OB 12EE1150-4	12	1171	471559	36.03	31.41	21.63	1.82	2.59	1.94	2.24	2.03	1.28	1.78
TYPE 19 OHB										MIN	MAX	MAX	MIN
OB 19EE 85-4	19	170	473731	35.01	29.98	9.50	2.80	3.00	2.38	2.43	2.03	1.28	1.78
OB 19EE 150-4	19	240	473732	37.51	32.48	11.25	2.80	3.00	2.38	2.43	2.03	1.28	1.78
OB 19EE 200-4	19	280	473733	37.51	32.48	12.00	2.80	3.00	2.38	2.43	2.03	1.28	1.78
OB 19EE 350-4	19	435	473734	37.51	32.48	14.50	2.80	3.00	2.38	2.43	2.03	1.28	1.78
OB 19EE 500-4	19	588	474265	39.51	34.48	17.06	2.80	3.00	2.38	2.43	2.03	1.28	1.78
OB 19EE 650-4	19	733	473735	39.51	34.48	17.94	2.80	3.00	2.38	2.43	2.03	1.28	1.78
OB 19EE1150-4	19	1201	473736	39.51	34.48	21.63	2.80	3.00	2.38	2.43	2.03	1.28	1.78
TYPE 25 OHB										MIN	MAX	MAX	MIN
OB 25EE 350-4	25	460	473737	39.04	33.54	14.50	2.80	3.00	2.38	2.78	2.51	1.66	2.10
OB 25EE 500-4	25	638	474266	41.04	35.54	17.06	2.80	3.00	2.38	2.78	2.51	1.66	2.10
OB 25EE 650-4	25	784	473738	41.04	35.54	17.94	2.80	3.00	2.38	2.78	2.51	1.66	2.10
OB 25EE1150-4	25	1253	473739	41.04	35.54	21.63	2.80	3.00	2.38	2.78	2.51	1.66	2.10
TYPE 30 OHB										MIN	MAX	MAX	MIN
OB 30EE 650-4	30	872	471558	49.22	41.77	17.94	-	4.56	3.75	2.79	2.88	1.63	2.28
OB 30EE1150-4	30	1342	471562	49.22	41.77	21.63	-	4.56	3.75	2.79	2.88	1.63	2.28