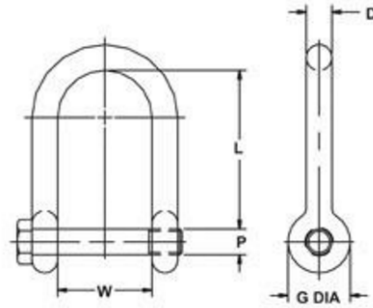


# CM Long Reach Shackle

WLL: 7,000 to 50,000 lbs.

As one of the only manufacturers of long-reach shackles, we designed these shackles for use in construction applications where a longer reach is needed to attach to pick points.

- Design factor of 5:1
- Meets the requirements of ASME B30.26
- Alloy Steel
- WLL forged on body
- Offered in self-colored or durable orange powder coated finish
- Do not point load. The load should be evenly distributed over
- the entire pin to achieve full working load limit.



LONG REACH SHACKLE												
Size (in.)	Working Load Limit	Screw Pin			Bolt, Nut & Cotter			Dimensions (in.)				
		Product Code		Weight (lbs)	Product Code		Weight (lbs)	P	D	L	W	G
		Self Colored	Painted		Self Colored	Painted						
5/8	7,000		M7151P	1.80		M9151P	1.95	0.75	0.63	4.00	2.25	1.57
3/4	10,000		M7152P	2.72		M9152P	3.21	0.88	0.75	5.00	2.75	1.81
1	19,000		M7154P	5.86		M9154P	6.31	1.00	1.00	5.50	3.25	2.38
1-1/4	28,000		M7156P	11.90		M9156P	12.90	1.38	1.25	6.19	3.88	3.06
1-1/2	34,000		M7157P	19.60		M9157P	20.70	1.50	1.50	7.00	4.50	3.50
1-3/4	50,000		M7177P	30.70		M9177P	33.30	2.00	1.75	8.00	5.25	4.00